

WiFi code key Lock



Quick Start Guide

Introduction

Thank you for purchasing WiFi code key device ! This Quick Start Guide is designed to guide you through installation.

Package Contents



Specification

Working Voltage: **12 VDC / 0.5A**

WiFi: **2.4 GHz, 802.11b**
19.5dBm output power
AP or Client mode
Static IP / DHCP mode

Lock Mode: Fail Secure (default)
Fail safe

Unlock relay: **12VDC / 2A**

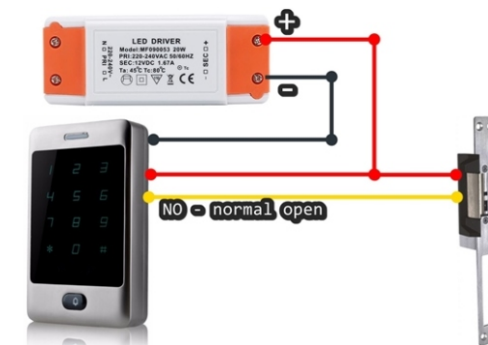
Digital inputs: movement sensor
door status sensor
open button, bell

RFID cards: 125kHz EM4100 64-bit
PIN length: 3 - 8 digits

Ambient temp.: -20°C to 70°C
Ambient humidity: 0%-95%

Device dimensions: 115 x 70 x 20 mm

Hardware installation



For power supply you can use LED DRIVER with stable output 12 VDC / 1.5A

- 1 Connect RED wire (1) and wire from electrical door lock to positive +12 VDC.
- 2 Connect YELLOW wire (3 - normal open) with second pole from electrical door lock.
- 3 Connect BLACK wire (2) with ground negative pole.

Software configuration

When you power on this device for the first time it will be in AP mode which means that you will have a new WiFi network called: "Code_key_XXXXXXXX" where XXXXXXXX is you unique ID number.

Then use your mobile phone or laptop with wireless network card and connect to that network.

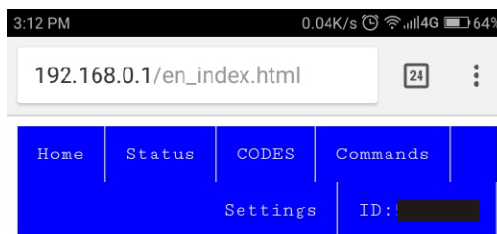
WiFi password: 12345678

Open a Web Browser like: Mozilla Firefox, Google Chrome, Microsoft Internet Explorer etc..

Follow these 2 simple steps to connect this device to your cloud network. To connect more devices, just repeat these steps with each one.

If you don't have a cloud account, first you can create one.

1. Enter this default address into your address bar: <http://192.168.0.1>



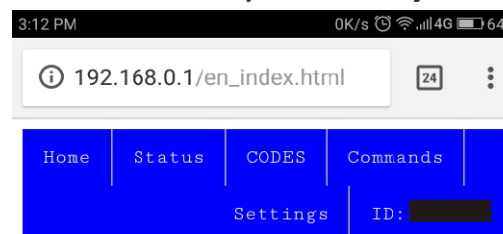
EN | [HR](#)

Welcome to PinLock web system !

Connect this device to code-key.com web system [\[using simple wizard\]](#)

ID: [redacted]

2. You can use wizard to guide you how to connect this device to cloud system: code-key.com



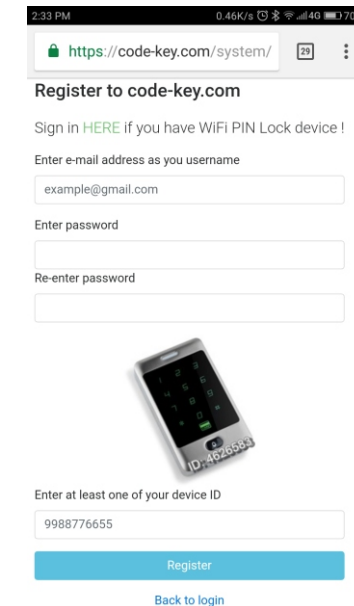
Connect device to web system over your wifi and Internet network

Device ID: [redacted]
<https://code-key.com>

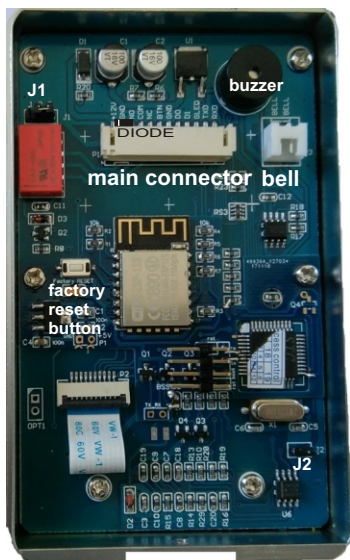
Name of your network/SSID:
MyWiFiNet
Password:
.....

Save and connect to selected network

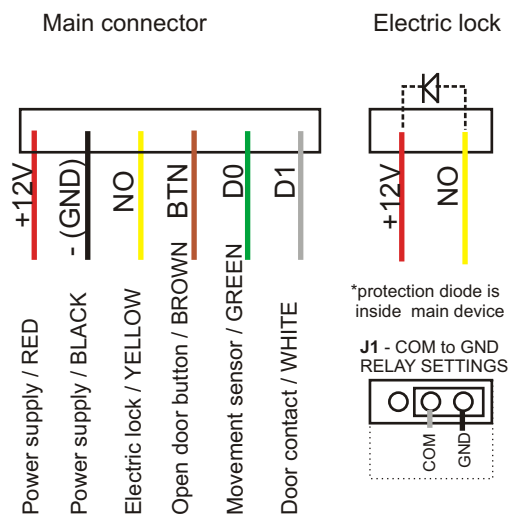
3. You will be redirected to registration web form where you can register your account and this device ID. If you already have a cloud account just go back to login form and then login and choose 'Add new device' from 'Settings' menu.



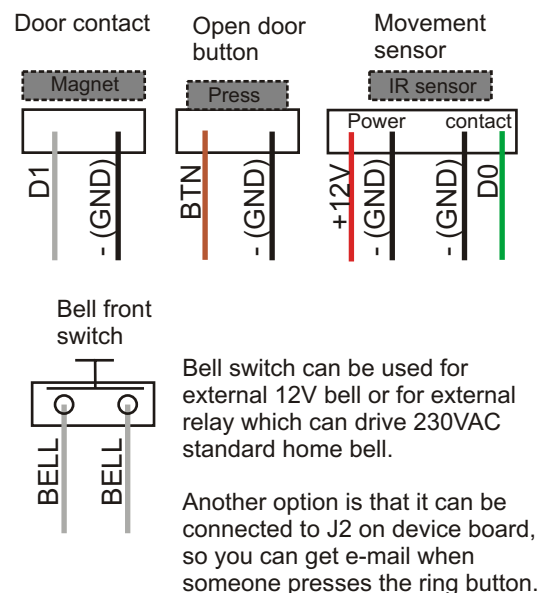
Device inside - main parts



Wire connection scheme



Additional options



Commands using keypad

You can use this device without use of mobile phone or laptop over WiFi network or Internet.

Just use these commands using device keypad.

Default ADMIN PIN is **555555**

For your security, change this default admin PIN.

When you connect your device with cloud it will sync all your PINs. Sync works in both directions:

- PINs from device will be sent to cloud and
- PINs from cloud will be sent to device.

Functions are described in the next table - Table of manual functions.

Table of manual functions

Function	Usage	Description
Change PIN	*1*SELECT PIN*NEW PIN#	You can change one of your current PIN codes to a new one. For example lets change existing PIN 1234 to 4321: *1*1234*4321#
Delete PIN	*2*ADMIN PIN*SELECT PIN#	You can delete one of your PIN codes with this comand. For example lets delete PIN 4321: *2*555555*4321#
Add New PIN	*3*ADMIN PIN*NEW PIN#	New PIN can be any number between 3 and 8 digits. For example lets add new PIN 1122: *3*555555*1122#
Delete all PINs	*4*ADMIN PIN*1#	If you want to delete all PINs from device use this command. For example: *4*555555*1#
Change admin PIN	*8*ADMIN PIN*NEW ADMIN PIN#	When you want to chage your master admin PIN, use this command. For example if you want to change default admin PIN to 777888: *8*555555*777888#

Function	Usage	Description
Reset to Factory	- without deleting PINs *9*ADMIN PIN*1# - deleting ALL PINs and settings *9*ADMIN PIN*2#	You can reset your device to factory settings with or without deleting all your PINS. For example lets do full factory reset: *9*555555*2#
Door relay open time	Set number of seconds. Default is 3 seconds. *10*ADMIN PIN*SECONDS#	You can change number of seconds for duration of open door open time. For example to 5 seconds: *10*555555*5#
WiFi mode	- AP mode (config mode) *15*ADMIN PIN*1# - STA mode (working mode) *15*ADMIN PIN*2#	Usually when you change your wifi password you need to put device to from Client to AP mode: *15*555555*1#

In all of these commands you can also use RFID card in simple way! Just instead typing PIN on keypad put your card on device. For example lets change PIN 1234 to one 125KHz complatible card we have: ***1*1234*ReadCard#**

Restore to Factory Default Settings - Press and hold Factory button for more then 5 seconds.